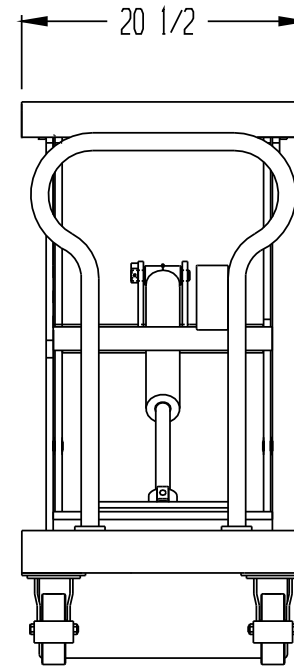
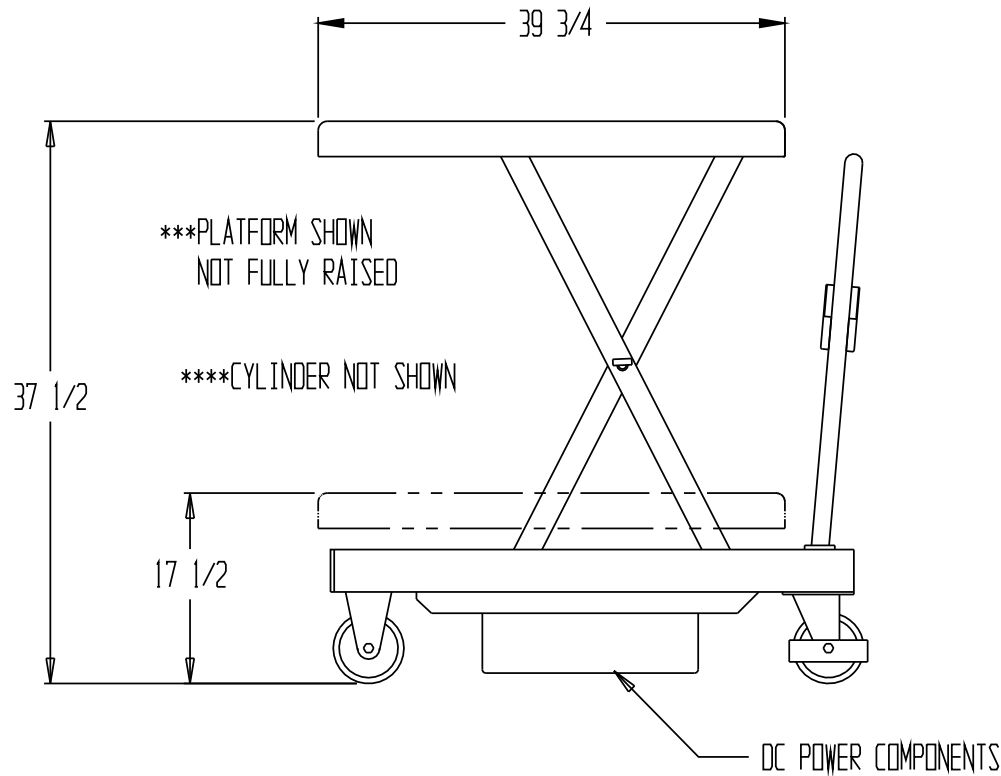


DC POWERED HYDRAULIC ELEVATING CART, CART-1000-DC



LEAD TIME WILL START UPON RECEIPT OF SIGNED APPROVAL DRAWING

STANDARD FEATURES

- MODEL NUMBER: CART-1000-DC
- CAPACITY: 1,000 LBS.
- PLATFORM WIDTH: 20 1/2"
- PLATFORM LENGTH: 39 3/4"
- PLATFORM RAISED HEIGHT: 37 1/2"
- PLATFORM LOWERED HEIGHT: 17 1/2"
- 5 X 2 CASTERS
- 2 SWIVEL W/SIDE BRAKE
- 2 RIGID

SPECIAL FEATURES

NONE

Any additions, deletions or omissions must be corrected on this drawing, as this drawing will be considered all inclusive.

*** ALL GRAPHICS PROVIDED ARE FOR REFERENCE ONLY. IF CERTAIN DIMENSIONS ARE CRITICAL PLEASE VERIFY THOSE DIMENSIONS WITH YOUR SALESPERSON. ***

**SPECIAL UNITS ARE NON-RETURNABLE
*AVAILABLE AT ADDITIONAL COSTS

APPROVAL

I, the undersigned, hereby approve this print
 As drawn As marked
 This includes my approval of design & dimensions.
 Signed: _____
 Date: _____

DISTRIBUTOR'S NAME:		P.O.#: -
VESTIL MANUFACTURING		W.O.#: -
DRAWN BY: SR	DATE: 10-16-08	SALES: -
REFERENCE:	DRWG./FILE NAME:	
-	SCALE: NTS	CART-1000-DC